

ECS-9200/9100 GTX1050

Quad Core Intel® Xeon®/Core™ i7 (Kaby Lake/Skylake) Embedded System with Intel® C236 & NVIDIA GeForce® GTX 1050 Ti/GTX 1050, NVIDIA Pascal™ architecture, 6 GigE LAN with 4 PoE+, 2 Front-access SSD Tray, 8 USB 3.0, M.2 Socket, 3 SIM, 4 COM, 32 Isolated DIO, High Performance, Independent Graphics, EN50155, EN50121



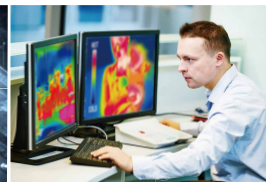
- LGA 1151 Socket supports workstation-grade Intel® Xeon®/Core™ i7 Processor with C236
- 2 DDR4 2133MHz Memory, up to 32GB (ECC/Non-ECC)
- 6 Independent GigE LAN with 4 IEEE 802.3at PoE+
- 3 SIM Card Socket for WiFi/3G/4G/LTE/GPRS/UMTS
- 10V to 36V DC-in with 80V Surge Protection
- Configurable Ignition Power Control
- NVIDIA GeForce® GTX10 Series graphics engine supports NVIDIA Pascal™ GPU architecture, up to 8K resolution
- Display : 3 DVI, 1 HDMI and 2 DisplayPort, up to 6 independent HD displays
- Storage : 2 2.5" SSD Tray, 1 CFast, 2 SATA III
- Expansion : 1 M.2 Socket, 3 Mini PCIe/mSATA
- 32 Isolated DIO, 8 USB 3.0, 4 COM



Machine Vision



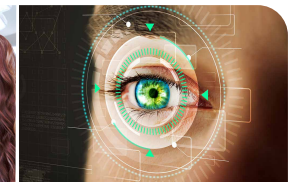
Traffic Vision



Embedded Workstation



Telemedicine

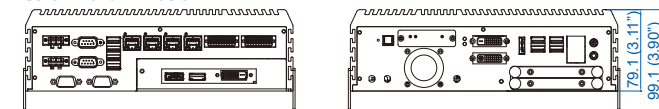


Deep Learning

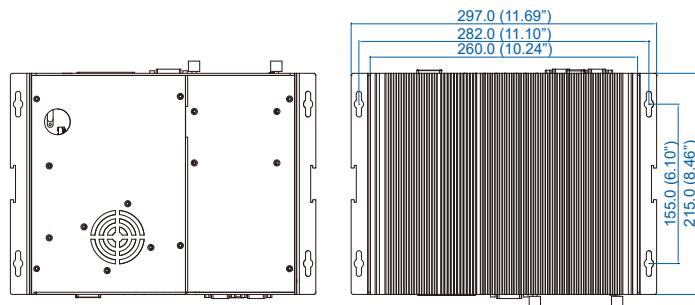
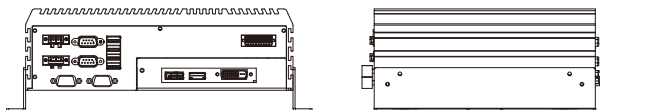


Dimensions & Drawing Unit: mm (inch)

ECS-9240 GTX1050



ECS-9100 GTX1050



Specifications

System

Processor	Quad Core Intel® Xeon®/Core™ i7 Processor (Kaby Lake-S/Skylake-S)
Chipset	Intel® C236
BIOS	AMI
SIO	IT8786E
Memory	2 DDR4 2400MHz SO-DIMM, up to 64GB (ECC/Non-ECC)
OS	Windows 10, Windows 8.1, Windows 7, Linux

I/O Interface

Serial	4 COM RS-232/422/485 (ESD 8KV)
USB	<ul style="list-style-type: none"> 8 USB 3.0 (External) 1 USB 2.0 (Internal)
Isolated DIO	32 Isolated DIO : 16 DI, 16 DO
LED	Power, HDD, PoE, Wireless
SIM Card	3 SIM Card Socket (External)

Expansion

Mini PCIe	3 Full-size for PCIe/USB/External SIM Card/mSATA
M.2	1 M.2 Socket (Key ID : M)

Graphics

Processor	<ul style="list-style-type: none"> Intel® HD Graphics P630/630/P530/530 NVIDIA GeForce® GTX 1050 Ti/GTX 1050
Interface	6 Display interfaces : <ul style="list-style-type: none"> 3 DVI : Up to 1920 x 1200 @ 60 Hz 1 DisplayPort : Up to 7680 x 3840 @ 60Hz 1 DisplayPort : Up to 4096 x 2304 @ 60Hz 1 HDMI : Up to 4096 x 2160 @ 60Hz

Storage

SATA	2 SATA III (6Gbps) support S/W RAID 0, 1
mSATA	3 SATA III (Mini PCIe Type, 6Gbps)
Storage Device	<ul style="list-style-type: none"> 1 CFast Socket, Push-in/Push-out Ejector 2 Front-access 2.5" SSD/HDD Tray

Audio

Audio Codec	Realtek ALC888S-VD, 7.1 Channel HD Audio
Audio Interface	1 Mic-in, 1 Line-out

Ethernet

LAN 1	Intel® I219LM GigE LAN supports iAMT 11.0
LAN 2	Intel® I210 GigE LAN

PoE (ECS-9200)

LAN 3	GigE IEEE 802.3at (25.5W/48V) PoE+ by Intel® I210
LAN 4	GigE IEEE 802.3at (25.5W/48V) PoE+ by Intel® I210
LAN 5	GigE IEEE 802.3at (25.5W/48V) PoE+ by Intel® I210
LAN 6	GigE IEEE 802.3at (25.5W/48V) PoE+ by Intel® I210

Power

Power Input	10V to 36V, DC-in
Power Interface	3-pin Terminal Block : V+, V-, Frame Ground
Ignition Control	16 Mode (Internal)
Remote Switch	3-pin Terminal Block
Surge Protection	Up to 80V/1ms Transient Power

Others

TPM	Optional Infineon SLB9665 supports TPM 2.0, LPC Interface
Watchdog Timer	Reset : 1 to 255 sec./min. per step
Smart Management	Wake on LAN, PXE supported
HW Monitor	Monitoring temperature, voltages. Auto throttling control when CPU overheats.

Mechanical

Dimensions	260mm x 215mm x 79mm (10.2" x 8.5" x 3.1")
Weight	4.3 kg (9.48 lb)
Mounting	<ul style="list-style-type: none"> Wallmount by mounting bracket DIN Rail Mount (Optional) 2U Rackmount (Optional)

Environment

Operating Temp.	35W TDP CPU : Xeon® E3-1268L v5, Core™ i7 : -20°C to 60°C (-4°F to 140°F) 65W TDP CPU : Core™ i7 : -20°C to 55°C (-4°F to 131°F) 80W TDP CPU : Xeon® E3-1275 v6, E3-1275 v5, E3-1225 v5 : -20°C to 45°C (-4°F to 113°F) -40°C to 85°C (-40°F to 185°F)
Storage Temp.	-40°C to 85°C (-40°F to 185°F)
Humidity	5% to 95% Humidity, non-condensing
Relative Humidity	95% at 60°C
Shock	<ul style="list-style-type: none"> IEC 60068-2-27 SSD : 50G @ wallmount, Half-sine, 11ms IEC 60068-2-64
Vibration	<ul style="list-style-type: none"> SSD : 5Grms, 5Hz to 500Hz, 3 Axis
EMC	E13, CE, FCC, EN50155, EN50121-3-2

Order Information

ECS-9240-GTX1050T	• ECS-9200, NVIDIA GeForce® GTX 1050 Ti, 6 GigE LAN w/4 PoE+, 2 SSD Tray, 8 USB 3.0, 4 COM, 1 M.2, 3 SIM, 32 Isolated DIO
ECS-9240-GTX1050	• ECS-9200, NVIDIA GeForce® GTX 1050, 6 GigE LAN w/4 PoE+, 2 SSD Tray, 8 USB 3.0, 4 COM, 1 M.2, 3 SIM, 32 Isolated DIO
ECS-9100-GTX1050T	• ECS-9100, NVIDIA GeForce® GTX 1050 Ti, 2 GigE LAN, 2 SSD Tray, 8 USB 3.0, 4 COM, 1 M.2, 3 SIM, 16 GPIO
ECS-9100-GTX1050	• ECS-9100, NVIDIA GeForce® GTX 1050, 2 GigE LAN, 2 SSD Tray, 8 USB 3.0, 4 COM, 1 M.2, 3 SIM, 16 GPIO
DDR4 32G	• Certified DDR4 32GB 2666MHz RAM
DDR4 16G	• Certified DDR4 16GB 2400/2133 MHz RAM
DDR4 8G	• Certified DDR4 8GB 2400/2133 MHz RAM
DDR4 4G	• Certified DDR4 4GB 2400/2133 MHz RAM
PWA-280W-WT	• 280W, 24V, 85V AC to 264V AC Power Adapter with 3-pin Terminal Block, Wide Temperature -30°C to +70°C
PWA-160W-WT	• 160W, 24V, 85V AC to 264V AC Power Adapter with 3-pin Terminal Block, Wide Temperature -30°C to +70°C
VESA Mount	• VESA Mounting Kit
DIN-RAIL Kit	• DIN Rail and VESA Mounting Kit
Rack Mount	• 2U Rackmount Kit
TMK2-20P-100	• Terminal Block 20-pin to Terminal Block 20-pin Cable, 100cm
TMK2-20P-500	• Terminal Block 20-pin to Terminal Block 20-pin Cable, 500cm
TMB-TMBK-20P	• Terminal Board with One 20-pin Terminal Block Connector and DIN-Rail Mounting
4G Module	• Mini PCIe 4G/GPS Module with Antenna
WiFi & Bluetooth	• WiFi & Bluetooth Module with Antenna

CPU List

Series	CPU	Cache (MB)	Turbo Freq. (GHz)	TDP (W)	ECC Memory
Intel® Xeon®	E3-1275 v6	8	4.2	80	Y
	E3-1275 v5		4	80	
	E3-1225 v5		3.7	80	
	E3-1268L v5		3.4	35	
Intel® Core™	i7-7700	8	4.2	65	NA
	i7-7700T		3.8	35	
	i7-6700		4	65	
	i7-6700TE		3.4	35	

ECS-9200/9100 GTX1050-20210319

* All product information may subject to change without prior notice.

* The rights of all brand names, product names and trademarks belong to their respective owners.

Copyright © 2021 Vecow Co., Ltd. All rights reserved.